



**PROTETIM<sup>®</sup>**

---

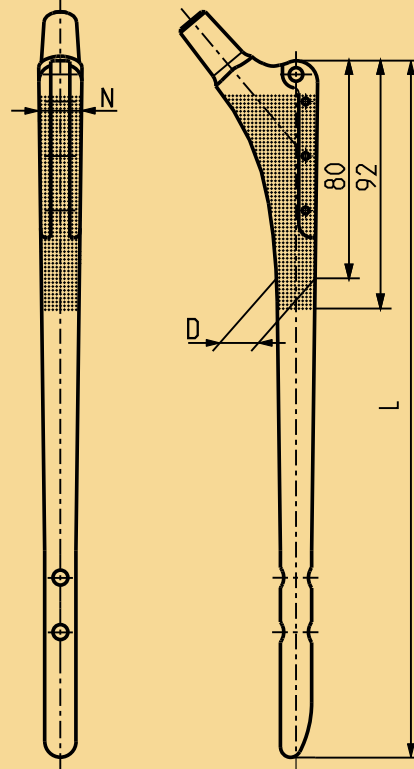
SG  
*REVÍZIÓS*  
*CSÍP PROTÉZIS SZÁR*  
*Euro kúp*

---

**CE**  
0197



# SG fémszórt revíziós csíp protézis szár



Kat. szám	Méretjel	N (mm)	D (mm)	L (mm)	Kat. szám	Méretjel	N (mm)	D (mm)	L (mm)	
SG-11105	SG1/180	14	12	180	SG-51305	SG5/180	18	16	180	
SG-12105	SG1/200			200	SG-52305	SG5/200			200	
SG-13105	SG1/220			220	SG-53305	SG5/220			220	
SG-14105	SG1/240			240	SG-54205	SG5/240			240	
SG-15105	SG1/260			260	SG-55205	SG5/260			260	
SG-21205	SG2/180	15	13	180	SG-56205	SG5/300	19	17	300	
SG-22105	SG2/200			200	SG-57105	SG5/340			340	
SG-23105	SG2/220			220	SG-63305	SG6/220			220	
SG-24105	SG2/240			240	SG-64305	SG6/240			240	
SG-25105	SG2/260			260	SG-65305	SG6/260			260	
SG-26105	SG2/300	300	SG-66205	SG6/300	300					
SG-31205	SG3/180	16	14	180	SG-67205	SG6/340	20	18	340	
SG-32205	SG3/200			200	SG-73305	SG7/220			220	
SG-33205	SG3/220			220	SG-74305	SG7/240			240	
SG-34105	SG3/240			240	SG-75305	SG7/260			260	
SG-35105	SG3/260			260	SG-76305	SG7/300			300	
SG-36105	SG3/300	300	SG-77205	SG7/340	340					
SG-37105	SG3/340	340								
SG-41305	SG4/180	17	15	180						
SG-42205	SG4/200			200						
SG-43205	SG4/220			220						
SG-44205	SG4/240			240						
SG-45205	SG4/260			260						
SG-46105	SG4/300			300						
SG-47105	SG4/340			340						

Anyag:  
TiAl6V4 (ISO 5832-3)  
A fémszórás anyaga:  
Titanium (ISO 5832-2)